

AKISAME 100-2-R (LG/GM/IN)

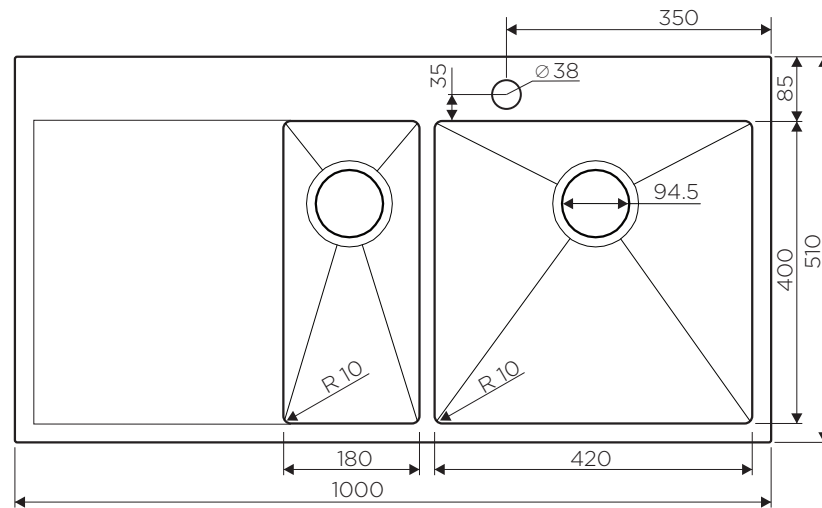
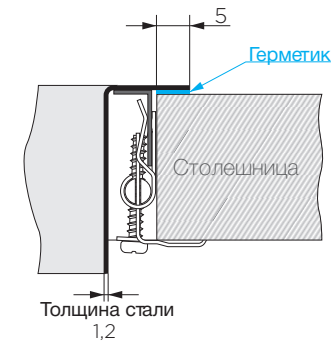
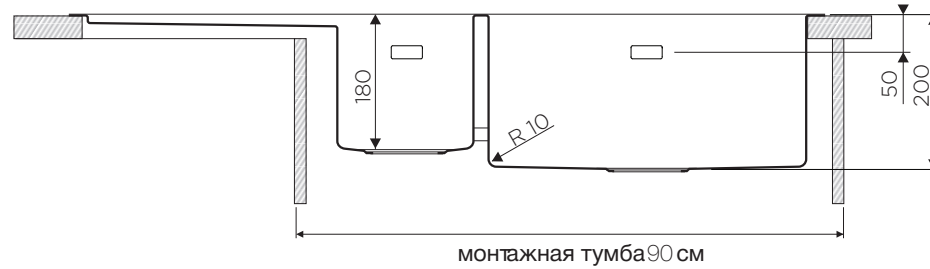
Stainless steel 304

Base 90

AKISAME 78-2-IN-R 4973547
 AKISAME 78-2-GM-R 4973104
 AKISAME 78-2-LG-R 4973090

Weight (kilogram) 10,25

Врезной монтаж



AKISAME 100-2-R (LG/GM/IN)

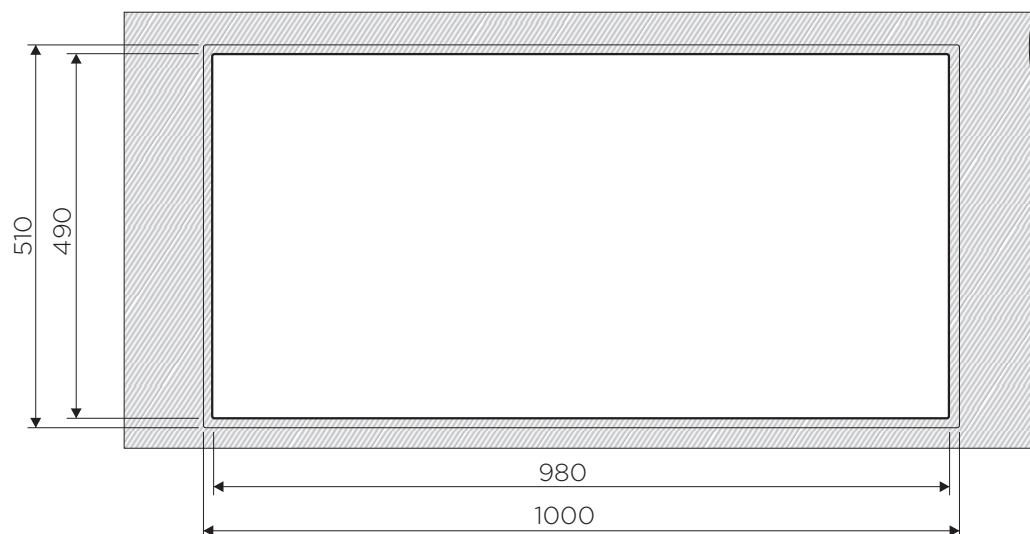
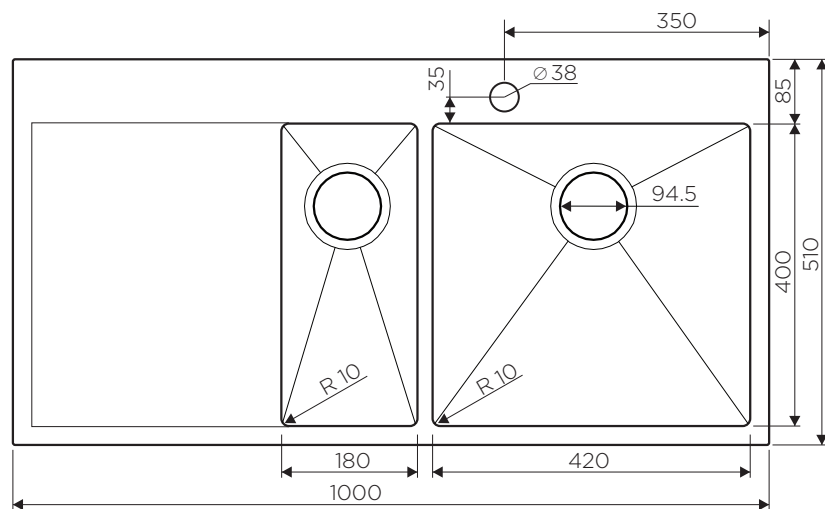
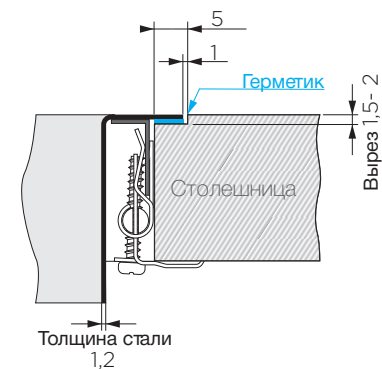
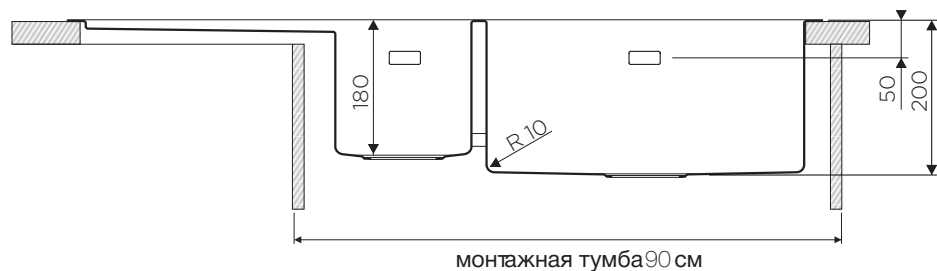
Stainless steel 304

Base 90

AKISAME 78-2-IN-R 4973547
 AKISAME 78-2-GM-R 4973104
 AKISAME 78-2-LG-R 4973090

Weight (kilogram) 10,25

Монтаж вровень со столешницей



AKISAME 100-2-R (LG/GM/IN)

Stainless steel 304

Base 90

AKISAME 78-2-IN-R 4973547
 AKISAME 78-2-GM-R 4973104
 AKISAME 78-2-LG-R 4973090

Weight (kilogram) 10,25